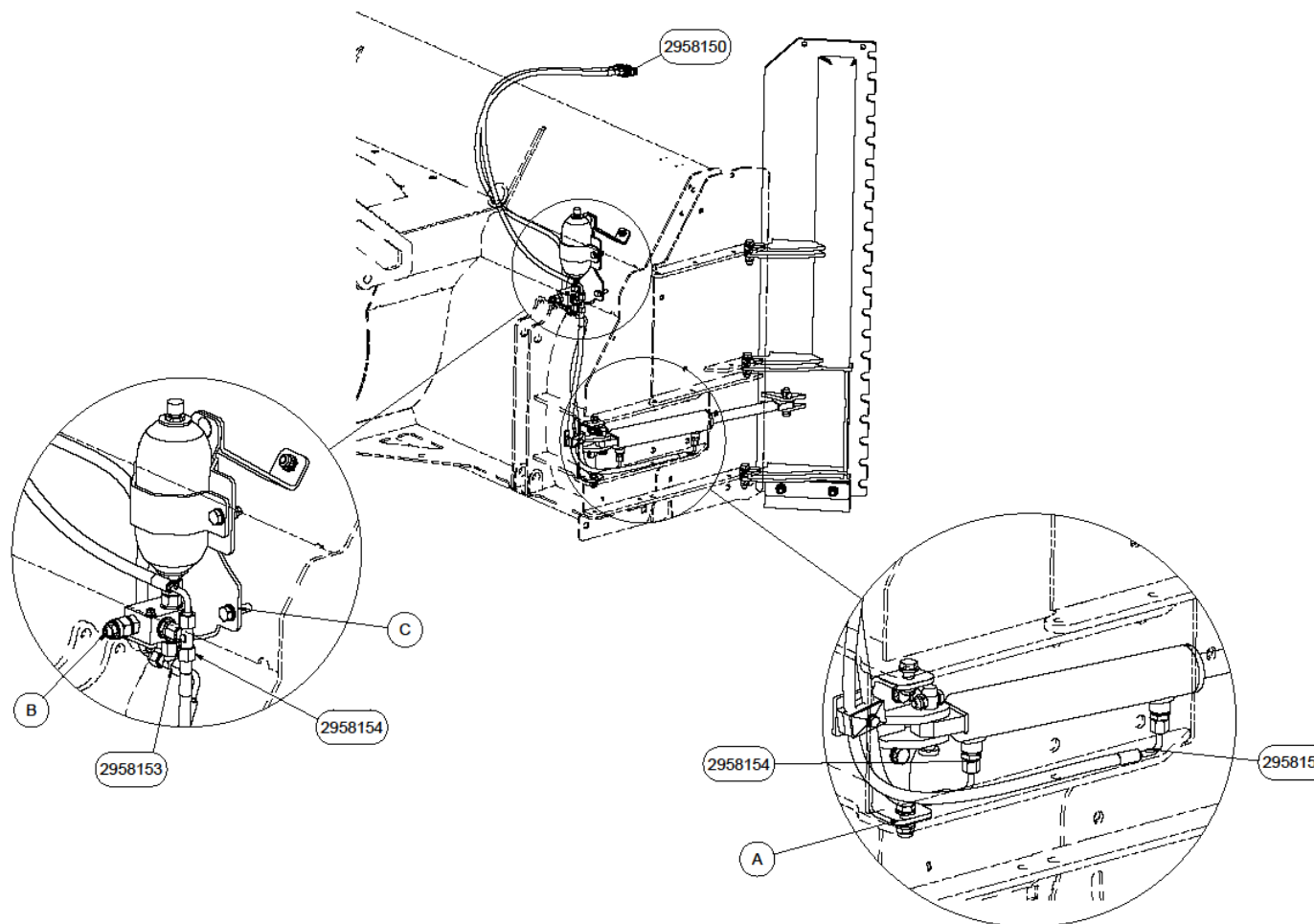


Assembly instructions of hydraulic side extension 125329101



- A: The bracket for the cylinder must be installed as in the illustration.
- B: The protrusion on the safety valve is adjusted to 4.7mm from the nut to the end of the Umbraco screw.
- C: 2 pcs. holes threaded M10.